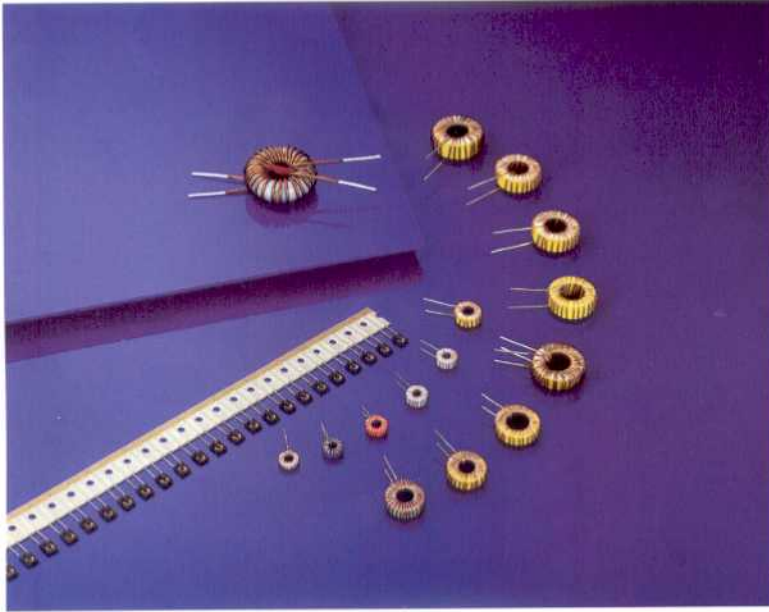
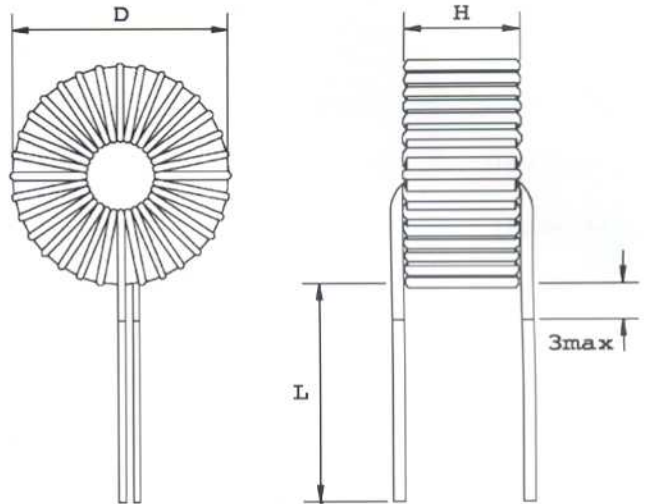


## TOROIDAL CHOKE COIL



### FEATURES

- Compact size
- High performance
- Low cost.
- No gap structure eliminates leakage magnetic flux.
- High saturation magnetic flux density provides excellent DC superposition characteristic.
- Unparalleled noise-absorption capability.



### APPLICATIONS

- EMI filters
- Choke coils for smoothing circuit of switch-mode power supplies.
- Prevent noise conduction in electronic equipment.

Model No.	Rated Current (A) at 100Vac	Inductance (L) ( $\mu$ H) min.	Rdc (m $\Omega$ ) max.	Wire Size (mm)	Dimensions (mm)		
					D max.	Hmax.	L
FI-T8D6-10x1	1	10	40	0.4	8.5	6	20.3
FI-T12D6-30x1	1	30	80	0.4	12.5	6	25.3
FI-T13D7-3.7x2	2	3.7	15	0.6	13.5	7.5	25.3
FI-T13D7-25x2	2	25	42	0.55	13	7	25.3
FI-T13D8-48x2	2	48	58	0.55	13	8	25.3
FI-T14D9-150x1	1	150	280	0.4	14	9	25.3
FI-T17D9-350x1	1	350	300	0.45	17	9.5	25.3
FI-T18D10-470x1	1	470	400	0.45	18	10.5	25.3
FI-T18D10-200x2	2	200	115	0.6	18	10.5	25.3
FI-T22D12-300x2	2	300	160	0.6	22	12	25.3
FI-T22D12-40x3	3	40	40	0.8	22	12.5	25.3
FI-T23D12-110x3	3	110	70	0.8	23	12.5	25.3
FI-T26D12-900x1	1	900	300	0.6	26	12.5	25.3
FI-T26D13-400x3	3	400	110	0.8	26.5	13.5	25.3
FI-T26D12-35x5	5	35	30	1	26	12	25.3
FI-T26D13-100x5	5	100	50	1	26	13	25.3
FI-T27D14-200x5	5	200	60	1	27	14	25.3
FI-T32D18-800x2	2	800	150	0.8	32	18	25.3
FI-T35D15-600x5	5	600	120	1	35	20	25.3
FI-T32D17-30x10	10	30	15	1.3X 2	32	17	25.3
FI-T33D18-100x8	8	100	20	1.5	33.5	18	20.3