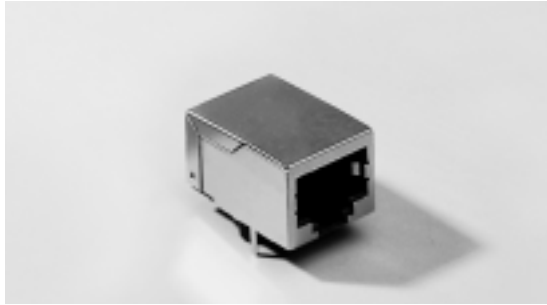


INTEGRATED CONNECTOR MODULES FOR 10/100BASE-TX

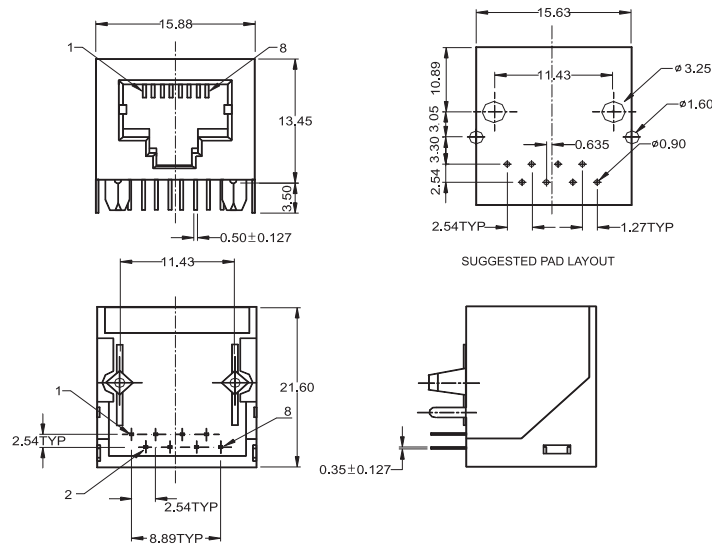
• 1X1 PORT



Features:

- Meets IEEE802.3 and ANSI X3.263 standards including 350uH OCL minimum with 8mA bias
- Integrated voltage capacitor to chassis ground
- Enhance EMC performance
- Cost saving

Mechanical



Unit: mm

Unless otherwise specified, all tolerances are ± 0.25

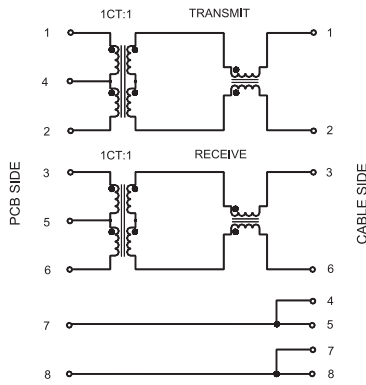
Electrical Specifications@25°C

Operating Temperature 0°C~70°C

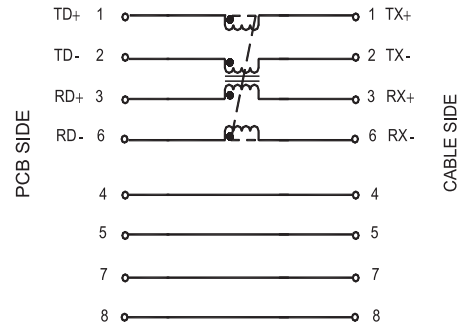
Part Number	Insertion Loss		Return Loss			Crosstalk			Common Mode Rejection		Hi-pot (Vrms)
	(dB MAX)		(dB TYP)			(dB TYP)			(dB TYP)		
	0.1~80MHz		1~30MHz	60MHz	80MHz	1~30MHz	60MHz	100MHz	1~50MHz	50~100MHz	
NT-97001	-1.0		-18	-14	-12	-40	-35	-30	-30	-20	1500
NT-97002	-1.0		-18	-14	-12	-40	-35	-30	-30	-20	1500
NT-97003	-1.0		-18	-14	-12	-40	-35	-30	-30	-20	1500
NT-97004	-1.0		-16	-12	-10	-40	-35	-30	-30	-20	1500
NT-97005	-1.0		-16	-12	-10	-40	-35	-30	-30	-20	1500
NT-97006	-1.0		-18	-14	-12	-40	-35	-30	-30	-20	1500

Schematics

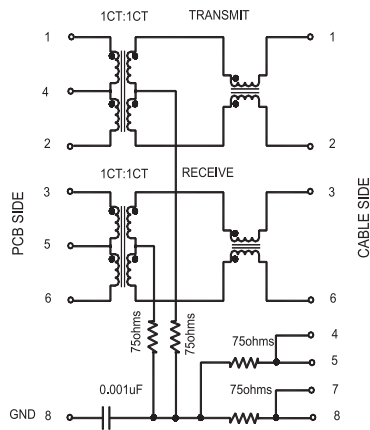
NT-97001



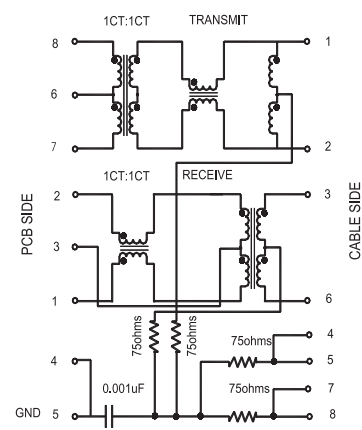
NT-97002



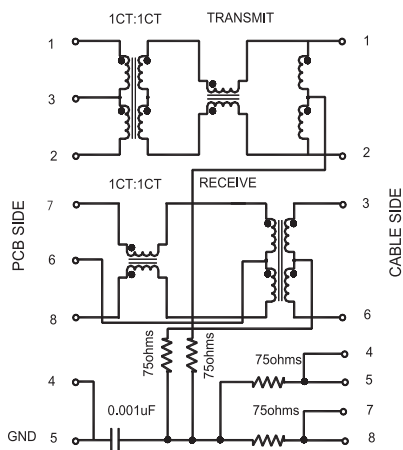
NT-97003



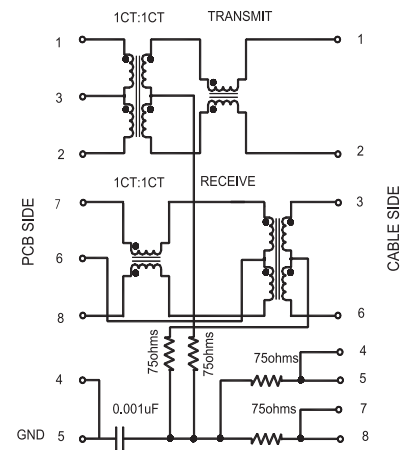
NT-97004



NT-97005



NT-97006



INTEGRATED CONNECTOR MODULES FOR 10/100BASE-TX

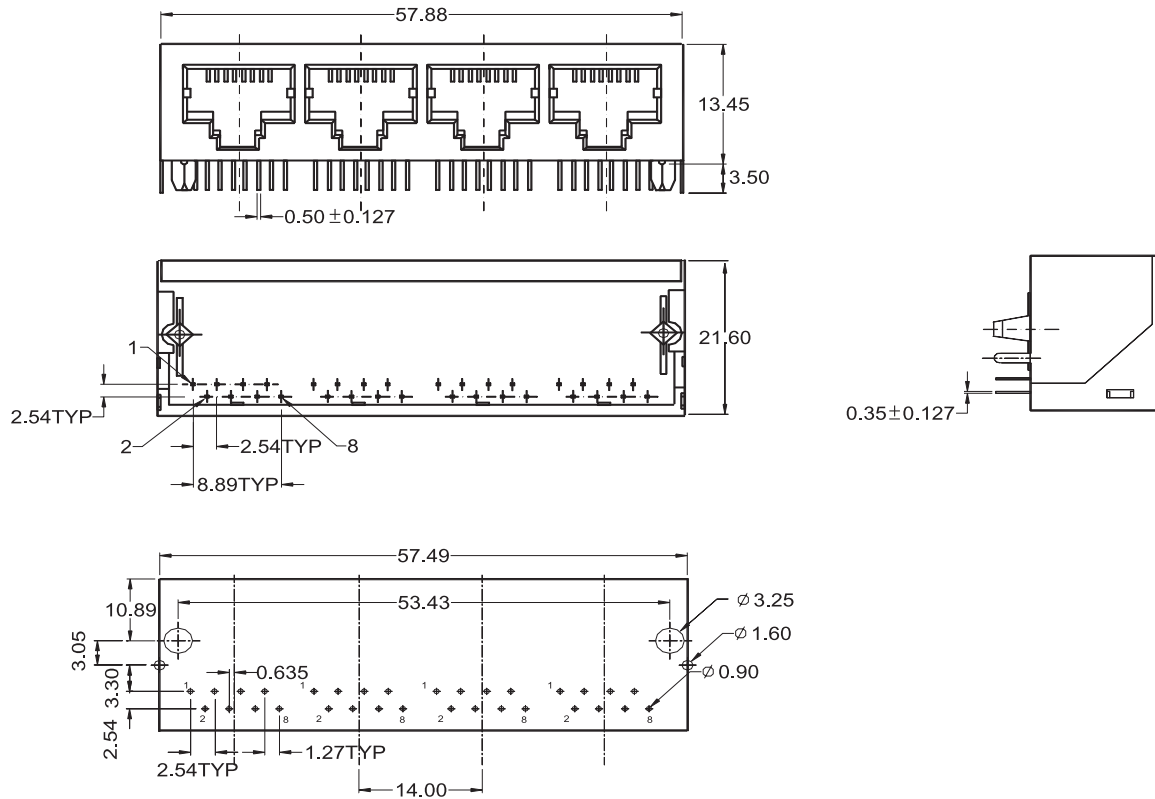
• 1X4PORT



Features:

- Meets IEEE802.3 and ANSI X3.263 standards including 350uH OCL minimum with 8mA bias
- Integrated voltage capacitor to chassis ground
- Enhances EMC performance
- Cost saving

Mechanical



SUGGESTED PAD LAYOUT

Unit: mm

Unless otherwise specified, all tolerances are ±0.25

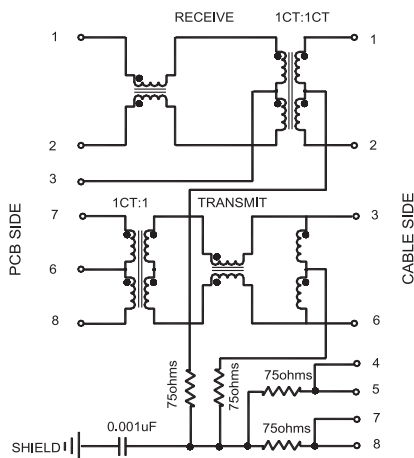
Electrical Specifications@25°C

Operating Temperature 0°C~70°C

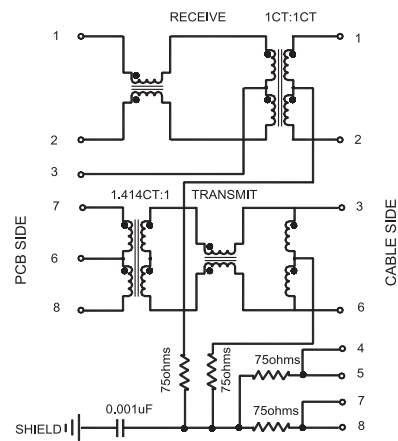
Part Number	Insertion Loss (dB MAX)		Return Loss (dB TYP)				Crosstalk (dB TYP)			Common Mode Rejection (dB TYP)		Hi-pot (Vrms)
	0.1~80MHz		1~30MHz	60MHz	80MHz	1~30MHz	60MHz	100MHz	1~50MHz	50~100MHz		
	NT-91001	-1.0	-18	-14	-11	-40	-35	-30	-35	-30	1500	
NT-91002	-1.0	-18	-14	-11	-40	-35	-30	-35	-30	1500		
NT-91003	-1.2	-16	-12	-10	-40	-35	-30	-35	-30	1500		
NT-91004	-1.2	-18	-14	-12	-40	-35	-30	-35	-30	1500		

Schematics

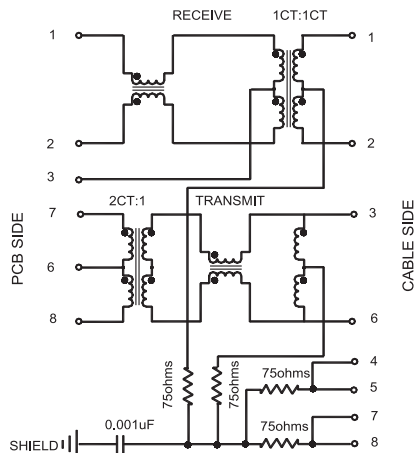
NT-91001



NT-91002



NT-91003



NT-91004

